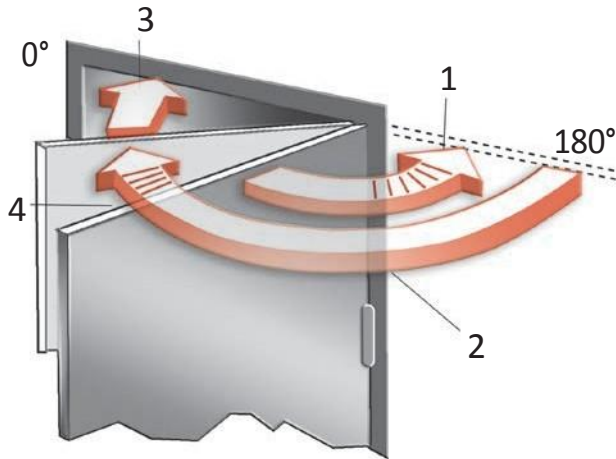


# GEZE TS 4000

## OVERHEAD DOOR CLOSERS WITH LINK ARM

### General product functions and information GEZE door closers with link arm



#### GEZE door closers with adjustable closing force:

The relevant standards stipulate that the door closer size (closing force of the closer) must be selected in accordance with the door leaf width. Where necessitated by the structural (door height, door weight) or local conditions (wind), the next size up must be set.

The GEZE TS 4000, TS 2000 and related versions offer several door closer sizes in one housing. The desired size can be selected by means of an adjustment screw or by altering the installation position. The TS 4000 features a display so you can see which size is currently selected.

#### 1) Back check

When doors are pushed open forcefully by approximately 90°, this function is activated in order to slow them down. However, it must not be used as a substitute for separate measures designed to limit the opening angle (such as a door stopper or other structural methods), e.g. in the case of doors that open outwards or are liable to be exposed to wind.

#### 2) Closing speed

The speed at which a door closes can be set on an individual basis.

#### 3) Latching action

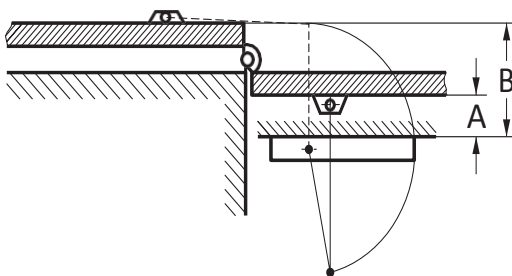
When the door is just a few degrees away from reaching the closed position, this function increases the door speed in order to overcome any closing resistance (e.g. in the form of air resistance).

#### 4) Delayed closing action

This function reduces the closing speed of a door or stops the door so that people have enough time to get through it.

Door closing force acc. to EN standard	Door leaf width (mm)
Size 1	up to 750
Size 2	over 750 up to 850
Size 3	over 850 up to 950
Size 4	over 950 up to 1100
Size 5	over 1100 up to 1250
Size 6	over 1250 up to 1400
Size 7	over 1400 up to 1600

### Specially designed for installation on opposite hinge side



Dimension A = reveal depth

Dimension B = reveal depth + 2 door thickness  
+ 2 pivot point distance

If a door is to be opened 180°,  
dimension A = 70 mm and dimension B  
= 200 mm

must not be exceeded.